



**Cambridge International Examinations**  
Cambridge International Advanced Level

CANDIDATE  
NAME

CENTRE  
NUMBER

--	--	--	--	--

CANDIDATE  
NUMBER

--	--	--	--



**PHYSICS**

Paper 4 A2 Structured Questions

**9702/41**

**May/June 2014**

**2 hours**

Candidates answer on the Question Paper.

No Additional Materials are required.

**READ THESE INSTRUCTIONS FIRST**

Write your Centre number, candidate number and name on all the work you hand in.

Write in dark blue or black pen.

You may use an HB pencil for any diagrams or graphs.

Do not use staples, paper clips, glue or correction fluid.

**DO NOT WRITE IN ANY BARCODES.**

Answer **all** questions.

Electronic calculators may be used.

You may lose marks if you do not show your working or if you do not use appropriate units.

At the end of the examination, fasten all your work securely together.

The number of marks is given in brackets [ ] at the end of each question or part question.

For Examiner's Use	
1	
2	
3	
4	
5	
6	
7	
8	
9	
10	
11	
12	
13	
14	
<b>Total</b>	

This document consists of **26** printed pages and **2** blank pages.

## 2

**Data**

speed of light in free space,	$c = 3.00 \times 10^8 \text{ m s}^{-1}$
permeability of free space,	$\mu_0 = 4\pi \times 10^{-7} \text{ H m}^{-1}$
permittivity of free space,	$\epsilon_0 = 8.85 \times 10^{-12} \text{ F m}^{-1}$
	$(\frac{1}{4\pi\epsilon_0} = 8.99 \times 10^9 \text{ m F}^{-1})$
elementary charge,	$e = 1.60 \times 10^{-19} \text{ C}$
the Planck constant,	$h = 6.63 \times 10^{-34} \text{ J s}$
unified atomic mass constant,	$u = 1.66 \times 10^{-27} \text{ kg}$
rest mass of electron,	$m_e = 9.11 \times 10^{-31} \text{ kg}$
rest mass of proton,	$m_p = 1.67 \times 10^{-27} \text{ kg}$
molar gas constant,	$R = 8.31 \text{ J K}^{-1} \text{ mol}^{-1}$
the Avogadro constant,	$N_A = 6.02 \times 10^{23} \text{ mol}^{-1}$
the Boltzmann constant,	$k = 1.38 \times 10^{-23} \text{ J K}^{-1}$
gravitational constant,	$G = 6.67 \times 10^{-11} \text{ N m}^2 \text{ kg}^{-2}$
acceleration of free fall,	$g = 9.81 \text{ m s}^{-2}$

## 3

## Formulae

uniformly accelerated motion,	$s = ut + \frac{1}{2}at^2$ $v^2 = u^2 + 2as$
work done on/by a gas,	$W = p\Delta V$
gravitational potential,	$\phi = -\frac{Gm}{r}$
hydrostatic pressure,	$p = \rho gh$
pressure of an ideal gas,	$p = \frac{1}{3} \frac{Nm}{V} \langle c^2 \rangle$
simple harmonic motion,	$a = -\omega^2 x$
velocity of particle in s.h.m.,	$v = v_0 \cos \omega t$ $v = \pm \omega \sqrt{(x_0^2 - x^2)}$
electric potential,	$V = \frac{Q}{4\pi\epsilon_0 r}$
capacitors in series,	$1/C = 1/C_1 + 1/C_2 + \dots$
capacitors in parallel,	$C = C_1 + C_2 + \dots$
energy of charged capacitor,	$W = \frac{1}{2} QV$
resistors in series,	$R = R_1 + R_2 + \dots$
resistors in parallel,	$1/R = 1/R_1 + 1/R_2 + \dots$
alternating current/voltage,	$x = x_0 \sin \omega t$
radioactive decay,	$x = x_0 \exp(-\lambda t)$
decay constant,	$\lambda = \frac{0.693}{t_{\frac{1}{2}}}$

4

Section A

Answer **all** the questions in the spaces provided.

1 (a) Define *gravitational potential* at a point.

.....

.....

..... [2]

(b) A stone of mass  $m$  has gravitational potential energy  $E_p$  at a point X in a gravitational field. The magnitude of the gravitational potential at X is  $\phi$ .

State the relation between  $m$ ,  $E_p$  and  $\phi$ .

..... [1]

(c) An isolated spherical planet of radius  $R$  may be assumed to have all its mass concentrated at its centre. The gravitational potential at the surface of the planet is  $-6.30 \times 10^7 \text{ J kg}^{-1}$ .

A stone of mass 1.30 kg is travelling towards the planet such that its distance from the centre of the planet changes from  $6R$  to  $5R$ .

Calculate the change in gravitational potential energy of the stone.

change in energy = ..... J [4]

5

2 (a) Explain what is meant by the Avogadro constant.

.....

.....

..... [2]

(b) Argon-40 ( $^{40}_{18}\text{Ar}$ ) may be assumed to be an ideal gas.  
 A mass of 3.2 g of argon-40 has a volume of  $210\text{ cm}^3$  at a temperature of  $37^\circ\text{C}$ .

Determine, for this mass of argon-40 gas,

(i) the amount, in mol,

amount = ..... mol [1]

(ii) the pressure,

pressure = ..... Pa [2]

(iii) the root-mean-square (r.m.s.) speed of an argon atom.

r.m.s. speed = .....  $\text{ms}^{-1}$  [3]

6

**BLANK PAGE**

7

3 The volume of 1.00 kg of water in the liquid state at 100 °C is  $1.00 \times 10^{-3} \text{ m}^3$ . The volume of 1.00 kg of water vapour at 100 °C and atmospheric pressure  $1.01 \times 10^5 \text{ Pa}$  is  $1.69 \text{ m}^3$ .

(a) Show that the work done against the atmosphere when 1.00 kg of liquid water becomes water vapour is  $1.71 \times 10^5 \text{ J}$ .

[2]

(b) (i) The first law of thermodynamics may be given by the expression

$$\Delta U = +q + w$$

where  $\Delta U$  is the increase in internal energy of the system.

State what is meant by

1.  $+q$ ,

..... [1]

2.  $+w$ .

..... [1]

(ii) The specific latent heat of vaporisation of water at 100 °C is  $2.26 \times 10^6 \text{ J kg}^{-1}$ .

A mass of 1.00 kg of liquid water becomes water vapour at 100 °C.

Determine, using your answer in (a), the increase in internal energy of this mass of water during vaporisation.

increase in internal energy = ..... J [2]

8

- 4 A student investigates the energy changes of a mass oscillating on a vertical spring, as shown in Fig. 4.1.

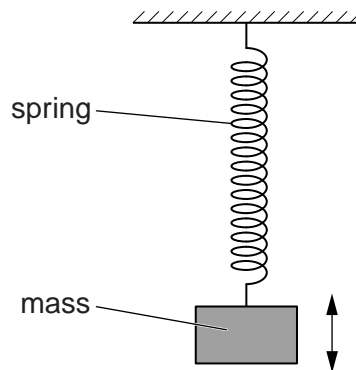


Fig. 4.1

The student draws a graph of the variation with displacement  $x$  of energy  $E$  of the oscillation, as shown in Fig. 4.2.

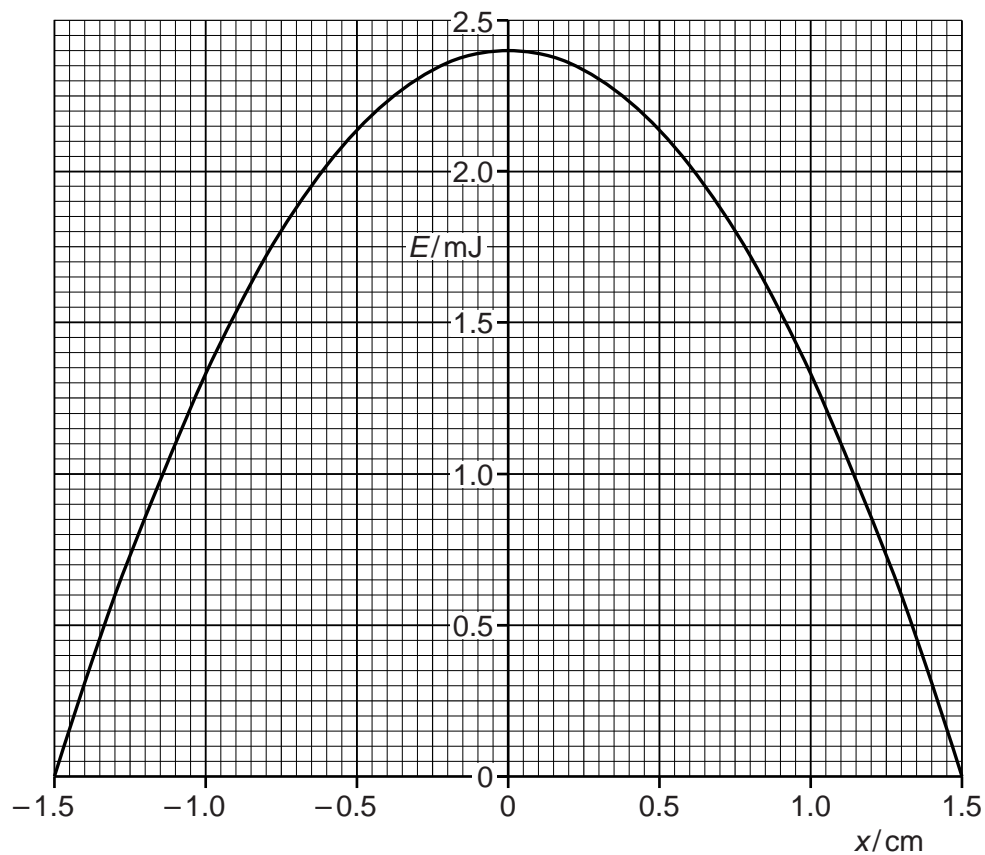


Fig. 4.2

- (a) State whether the energy  $E$  represents the total energy, the potential energy or the kinetic energy of the oscillations.

..... [1]



**9**

- (b) The student repeats the investigation but with a smaller amplitude. The maximum value of  $E$  is now found to be 1.8 mJ.

Use Fig. 4.2 to determine the change in the amplitude. Explain your working.

change in amplitude = ..... cm [3]

## 10

- 5 An isolated solid metal sphere of radius  $r$  is given a positive charge. The distance from the centre of the sphere is  $x$ .

(a) The electric potential at the surface of the sphere is  $V_0$ .

On the axes of Fig. 5.1, sketch a graph to show the variation with distance  $x$  of the electric potential due to the charged sphere, for values of  $x$  from  $x = 0$  to  $x = 4r$ .

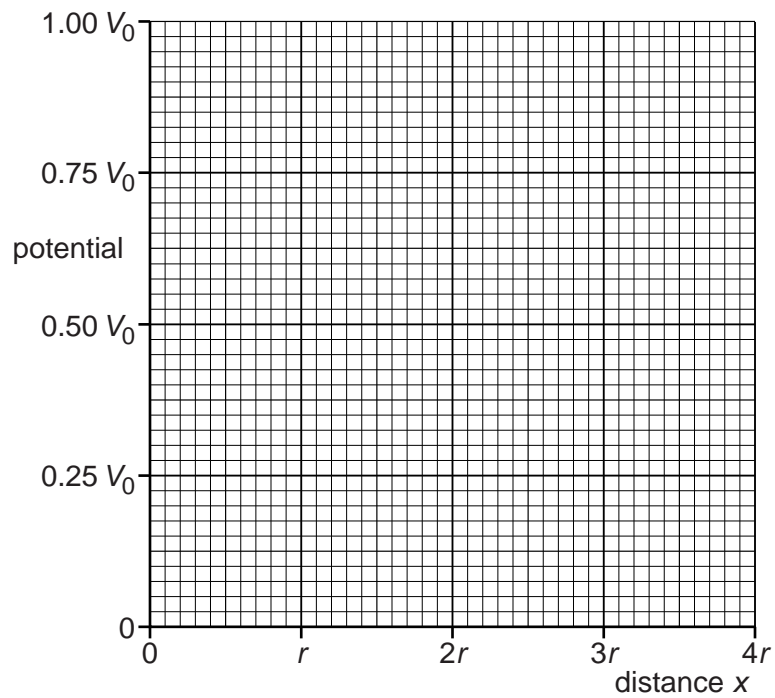


Fig. 5.1

[3]

## 11

(b) The electric field strength at the surface of the sphere is  $E_0$ .

On the axes of Fig. 5.2, sketch a graph to show the variation with distance  $x$  of the electric field strength due to the charged sphere, for values of  $x$  from  $x = 0$  to  $x = 4r$ .

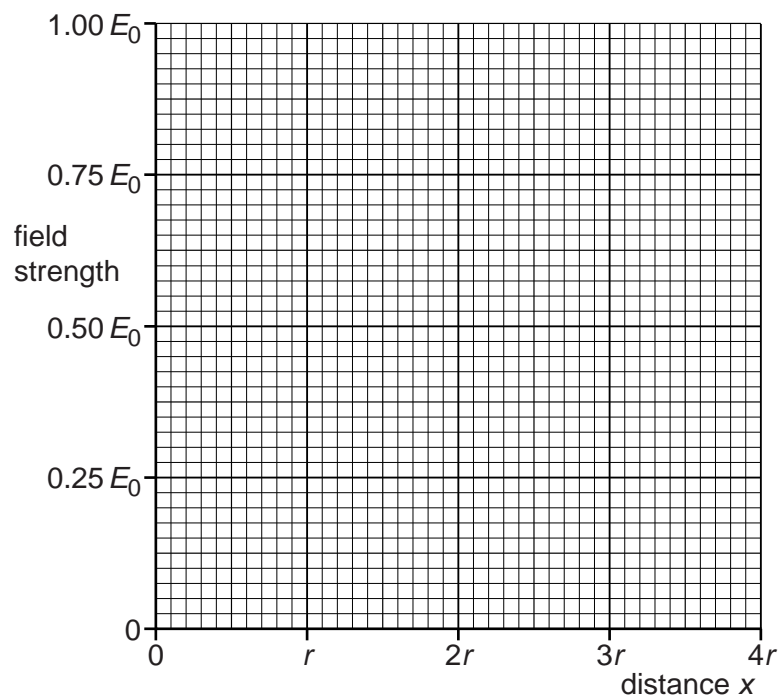


Fig. 5.2

[3]

12

- 6 An uncharged capacitor is connected in series with a battery, a switch and a resistor, as shown in Fig. 6.1.

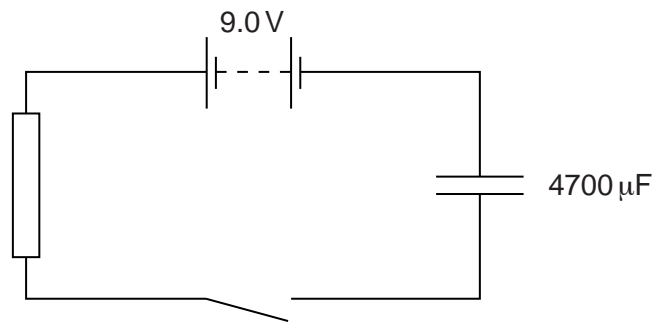


Fig. 6.1

The battery has e.m.f. 9.0V and negligible internal resistance. The capacitance of the capacitor is 4700 μF.

The switch is closed at time  $t = 0$ .

During the time interval  $t = 0$  to  $t = 4.0$ s, the charge passing through the resistor is 22 mC.

- (a) (i) Calculate the energy transfer in the battery during the time interval  $t = 0$  to  $t = 4.0$ s.

energy transfer = ..... J [2]

- (ii) Determine, for the capacitor at time  $t = 4.0$ s,

1. the potential difference  $V$  across the capacitor,

$V =$  ..... V [2]

13

2. the energy stored in the capacitor.

energy = ..... J [2]

(b) Suggest why your answers in (a)(i) and (a)(ii) part 2 are different.

.....  
..... [1]

14

- 7 A solenoid is connected in series with a battery and a switch. A Hall probe is placed close to one end of the solenoid, as illustrated in Fig. 7.1.

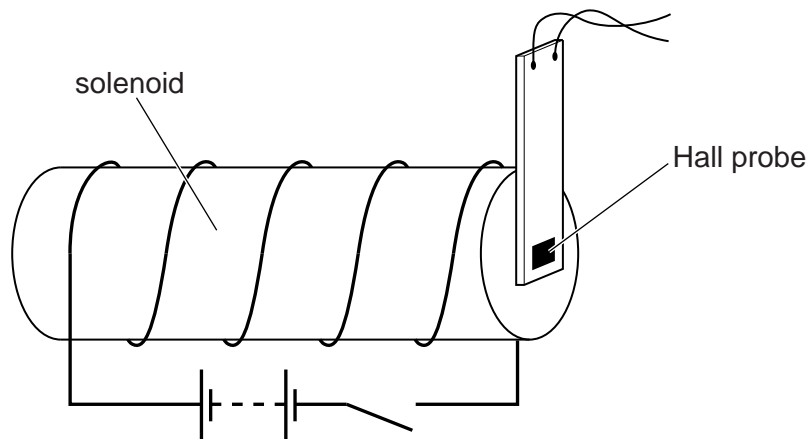


Fig. 7.1

The current in the solenoid is switched on. The Hall probe is adjusted in position to give the maximum reading. The current is then switched off.

- (a) The current in the solenoid is now switched on again. Several seconds later, it is switched off. The Hall probe is not moved.

On the axes of Fig. 7.2, sketch a graph to show the variation with time  $t$  of the Hall voltage  $V_H$ .

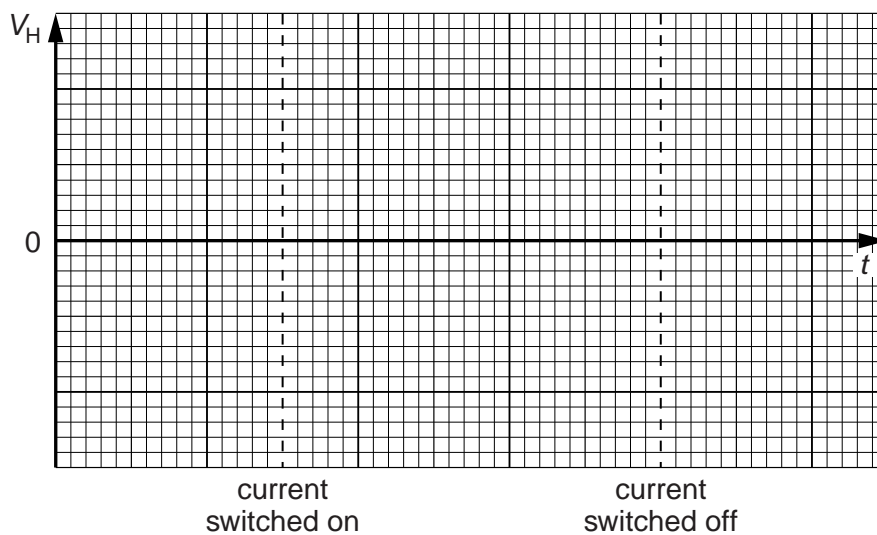


Fig. 7.2

[3]

15

(b) The Hall probe is now replaced by a small coil. The plane of the coil is parallel to the end of the solenoid.

(i) State Faraday's law of electromagnetic induction.

.....  
.....  
..... [2]

(ii) On the axes of Fig.7.3, sketch a graph to show the variation with time  $t$  of the e.m.f.  $E$  induced in the coil when the current in the solenoid is switched on and then switched off.

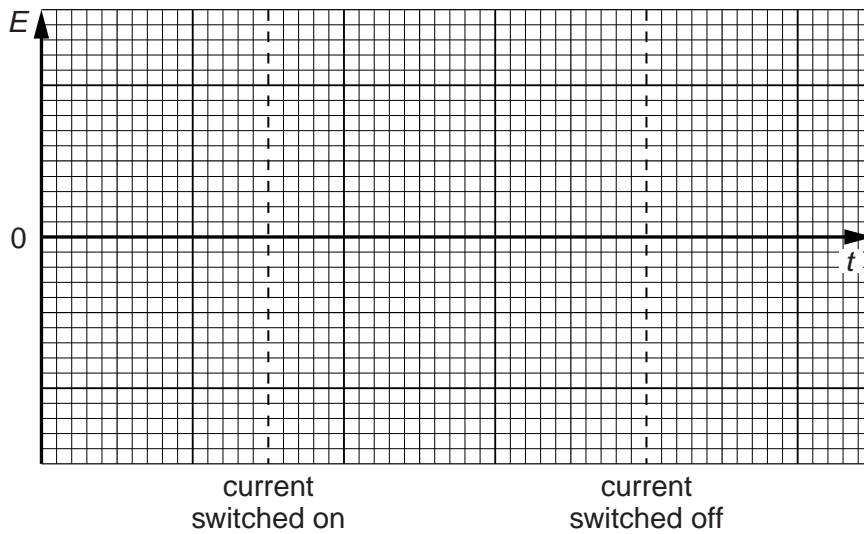


Fig. 7.3

[3]

8 (a) State what is meant by *quantisation* of charge.

.....  
 ..... [1]

(b) A student carries out an experiment to determine the elementary charge. A charged oil drop is positioned between two horizontal metal plates, as shown in Fig. 8.1.

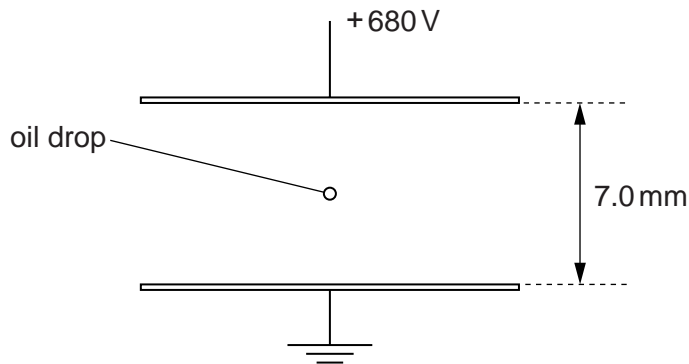


Fig. 8.1

The plates are separated by a distance of 7.0 mm. The lower plate is earthed. The potential of the upper plate is gradually increased until the drop is held stationary. The potential for the drop to be stationary is 680 V. The weight of the oil drop, allowing for the upthrust of the air, is  $4.8 \times 10^{-14}$  N. Calculate the value for the charge on the oil drop.

charge = ..... C [2]



## 17

- (c) The student repeats the experiment and determines the following values for the charge on oil drops.

$$3.3 \times 10^{-19} \text{ C} \quad 4.9 \times 10^{-19} \text{ C} \quad 9.7 \times 10^{-19} \text{ C} \quad 3.4 \times 10^{-19} \text{ C}$$

Use these values to suggest a value for the elementary charge. Explain your working.

elementary charge = ..... C [2]

9 For a particular metal surface, it is observed that there is a minimum frequency of light below which photoelectric emission does not occur. This observation provides evidence for a particulate nature of electromagnetic radiation.

(a) State three further observations from photoelectric emission that provide evidence for a particulate nature of electromagnetic radiation.

- 1. ....
- .....
- 2. ....
- .....
- 3. ....
- .....

[3]

(b) Some data for the variation with frequency  $f$  of the maximum kinetic energy  $E_{MAX}$  of electrons emitted from a metal surface are shown in Fig. 9.1.

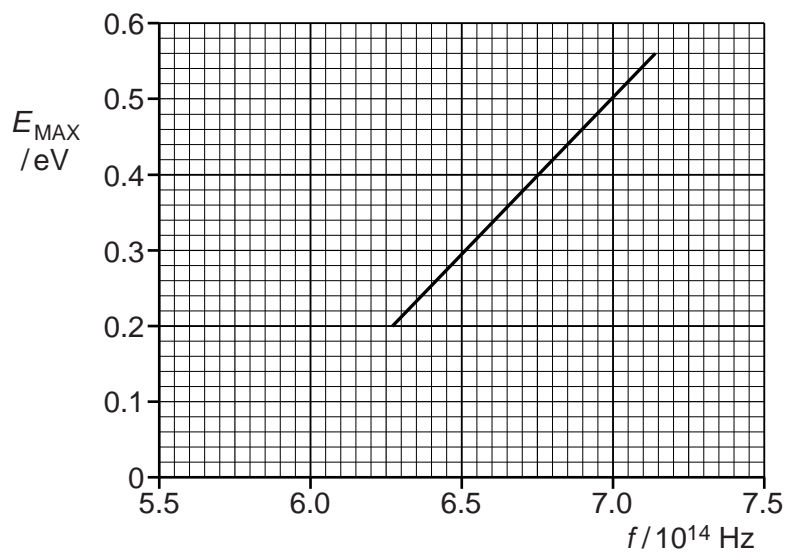


Fig. 9.1

(i) Explain why emitted electrons may have kinetic energy less than the maximum at any particular frequency.

- .....
- .....
- ..... [2]

## 19

(ii) Use Fig.9.1 to determine

1. the threshold frequency,

threshold frequency = ..... Hz [1]

2. the work function energy, in eV, of the metal surface.

work function energy = ..... eV [3]

20

10 (a) Explain what is meant by the *binding energy* of a nucleus.

.....  
 .....  
 ..... [2]

(b) Data for the masses of some particles are given in Fig. 10.1.

	mass/u
proton	1.00728
neutron	1.00867
tritium ( $^3_1\text{H}$ ) nucleus	3.01551
polonium ( $^{210}_{84}\text{Po}$ ) nucleus	209.93722

Fig. 10.1

The energy equivalent of 1.0 u is 930 MeV.

(i) Calculate the binding energy, in MeV, of a tritium ( $^3_1\text{H}$ ) nucleus.

binding energy = ..... MeV [3]

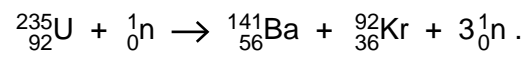
(ii) The total mass of the separate nucleons that make up a polonium-210 ( $^{210}_{84}\text{Po}$ ) nucleus is 211.70394 u.

Calculate the binding energy per nucleon of polonium-210.

binding energy per nucleon = ..... MeV [3]

## 21

(c) One possible fission reaction is



By reference to binding energy, explain, without any calculation, why this fission reaction is energetically possible.

.....

.....

..... [2]

Section B

Answer **all** the questions in the spaces provided.

11 (a) A circuit incorporating an ideal operational amplifier (op-amp) is shown in Fig. 11.1.

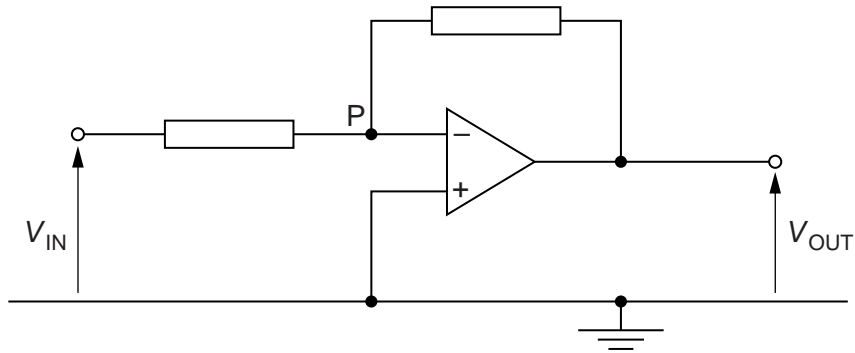


Fig. 11.1

(i) State the name of this circuit.

..... [1]

(ii) Explain why the point P is referred to as a *virtual earth*.

.....  
 .....  
 .....  
 ..... [3]

(b) The circuit of Fig. 11.1 is modified, as shown in Fig. 11.2.

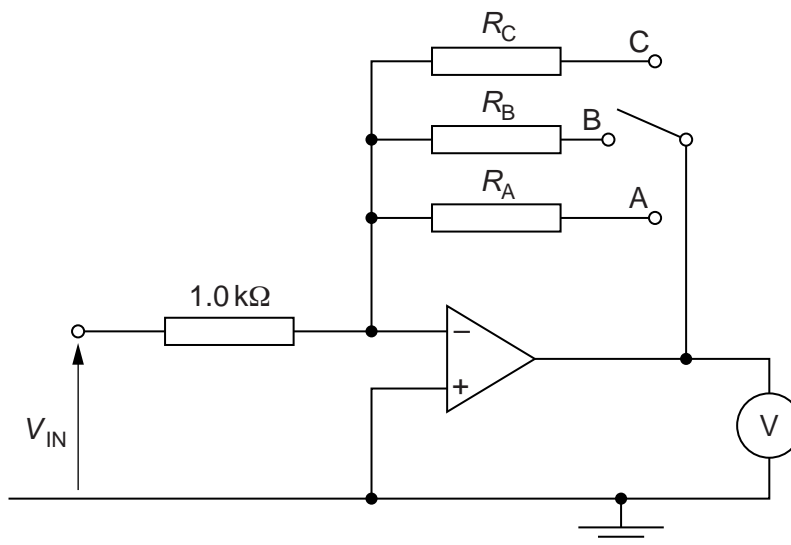


Fig. 11.2

23

The voltmeter has infinite resistance and its full-scale deflection is 1.0V.

The input potential to the circuit is  $V_{IN}$ .

The switch position may be changed in order to have different values of resistance in the circuit.

- (i) The input potential  $V_{IN}$  and the switch position are varied. For each switch position, the reading of the voltmeter is 1.0V. Complete Fig. 11.3 for the switch positions shown.

switch position	$V_{IN}/mV$	resistance
A	10	$R_A = \dots\dots\dots$
B	100	$R_B = \dots\dots\dots$
C	$\dots\dots\dots$	$R_C = 1.0k\Omega$

Fig. 11.3

[3]

- (ii) By reference to your answers in (i), suggest a use for the circuit of Fig. 11.2.

.....  
 ..... [1]

12 (a) Outline briefly the principles of CT scanning.

.....

.....

.....

.....

.....

.....

.....

.....

.....

.....

..... [5]



25

(b) In a model for CT scanning, a section is divided into four voxels. The pixel numbers  $P$ ,  $Q$ ,  $R$  and  $S$  of the voxels are shown in Fig. 12.1.

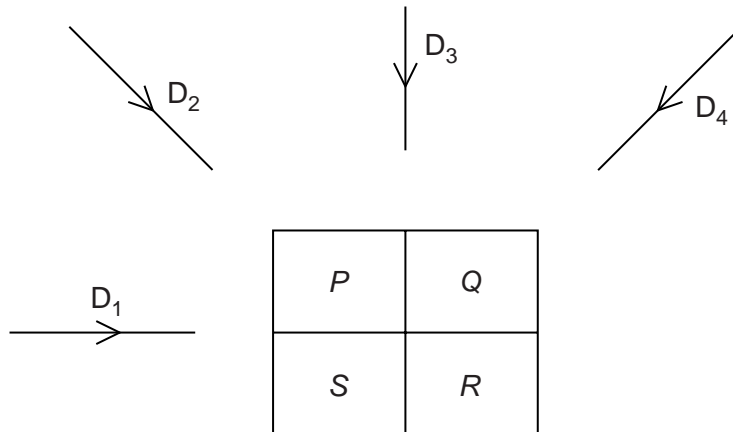


Fig. 12.1

The section is viewed from the four directions  $D_1$ ,  $D_2$ ,  $D_3$  and  $D_4$ . The detector readings for each direction are noted.

The detector readings are summed as shown in Fig. 12.2.

49	61
73	55

Fig. 12.2

The background reading is 34.

Determine the pixel numbers  $P$ ,  $Q$ ,  $R$  and  $S$  as shown in Fig. 12.3.

$P$	$Q$
$S$	$R$

Fig. 12.3

$P =$  .....  $Q =$  .....

$S =$  .....  $R =$  .....

[4]

13 The signal from a microphone is to be transmitted in digital form. A block diagram of part of the transmission system is shown in Fig. 13.1.

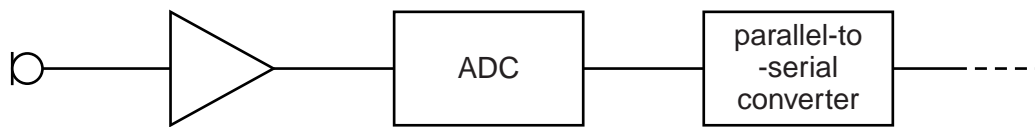


Fig. 13.1

(a) Suggest two advantages of the transmission of a signal in digital form rather than in analogue form.

- 1. ....
- .....
- 2. ....
- .....

[2]

(b) State the function of the parallel-to-serial converter.

.....

.....

..... [2]

(c) In a particular telephone system, the sampling frequency is 8 kHz. In the manufacture of a compact disc, the sampling frequency is approximately 44 kHz.

Suggest and explain why the sampling frequency is much higher for the compact disc.

.....

.....

.....

.....

..... [3]

27

14 (a) State what is meant by the *attenuation* of a signal.

.....  
..... [1]

(b) A transmission cable has a length of 30 km. The attenuation per unit length of the cable is 2.4 dB km<sup>-1</sup>.

Calculate, for a signal being transmitted along the cable,

(i) the total attenuation, in dB,

attenuation = ..... dB [1]

(ii) the ratio

$$\frac{\text{input power of signal}}{\text{output power of signal}}$$

ratio = ..... [3]

(c) By reference to your answers in (b), suggest why the attenuation of transmitted signals is usually expressed in dB.

.....  
..... [1]

**BLANK PAGE**

---

Permission to reproduce items where third-party owned material protected by copyright is included has been sought and cleared where possible. Every reasonable effort has been made by the publisher (UCLES) to trace copyright holders, but if any items requiring clearance have unwittingly been included, the publisher will be pleased to make amends at the earliest possible opportunity.

Cambridge International Examinations is part of the Cambridge Assessment Group. Cambridge Assessment is the brand name of University of Cambridge Local Examinations Syndicate (UCLES), which is itself a department of the University of Cambridge.